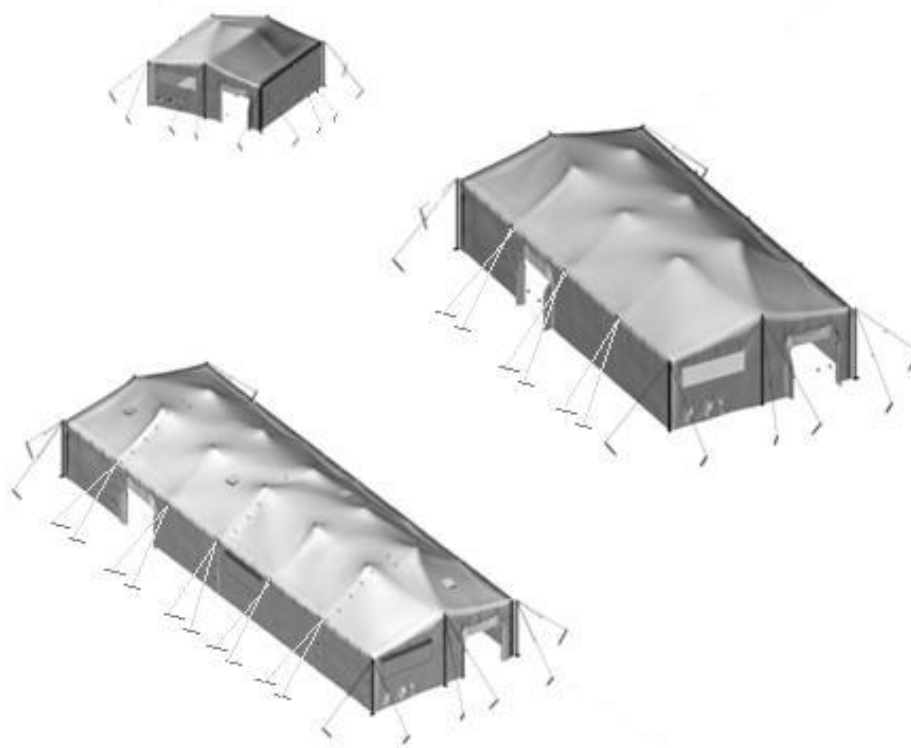


**OPERATOR INSTRUCTION MANUAL
INCLUDING REPAIR PARTS
FOR
MODULAR GENERAL PURPOSE TENT SYSTEM
(MGPTS)
TYPE III**



Johnson Outdoors Gear LLC

Eureka!

625 Conklin Road

Binghamton, NY 13903

Customer Service: 1 800 847-1460

Web Site: <http://www.eurekamilitarytents.com>

25 November 2013 – Revision C

Table of Contents

	Page No.
Sitting requirements	3
Assembly Type III tent system	3
Layout fabric sections	3
Connect fabric sections	5
Setting up tent poles	8
Raising Type III tent system	13
Tensioning Type III tent system	16
Operating procedures	19
Operate doors	19
Operate windows	19
Operate roof vents	20
Operate fabric walls	20
Operate stovepipe openings	20
Striking Type III tent system	21
Fold fabric sections	23

Appendices

Fabric assembly End Module & Fabric assembly Mid Module Repair & Replace	
Patch Hole or Rip	A 00-1
Hand Stitching Repair	B 00-1
MGPTS - Tan	
Tan – Basic Item Issue (Parts List)	Pl 1 00-1
MGPTS - Green	
Green – Basic Item Issue (Parts List)	Pl 2 00-1

This section applies to the Type III MGPTS only. The MGPTS Type III is an internal frame supported modular structure (Patent # 7,140,377) that can use either the Type I or Type III. The MGPTS Type III is issued in three sizes: small, medium and large. The MGPTS can also be complexed in various combinations of length and to other Types of equipment.

SITTING REQUIREMENTS

NOTE

These instructions are based on the medium MGPTS. For other tent sizes, the number of mid sections and internal arches will differ. Make modifications as required.

Select an area to erect the tent. Ensure the area will be large enough for the tent and guy ropes that will be erected (see Table 1). The area should be clear of trees, rocks and debris. Choose a relatively flat area, the ground should not vary by more than 6 inches. A trench should be dug around the perimeter of the tent about 2 feet away from the edge. A drainage ditch should also be dug for water to exit the perimeter trench.

Table 1. Area Setup Requirements.

Tent Model:	Length	Width	Height
Small	34 ft	34 ft	12 ft
Medium	52 ft	34 ft	12 ft
Large	70 ft	34 ft	12 ft

ASSEMBLY TYPE III TENT SYSTEM

Layout fabric sections

1. Identify each fabric section required. For the medium MGPTS, you will need two end fabric sections and one Mid Fabric Section.



WARNING

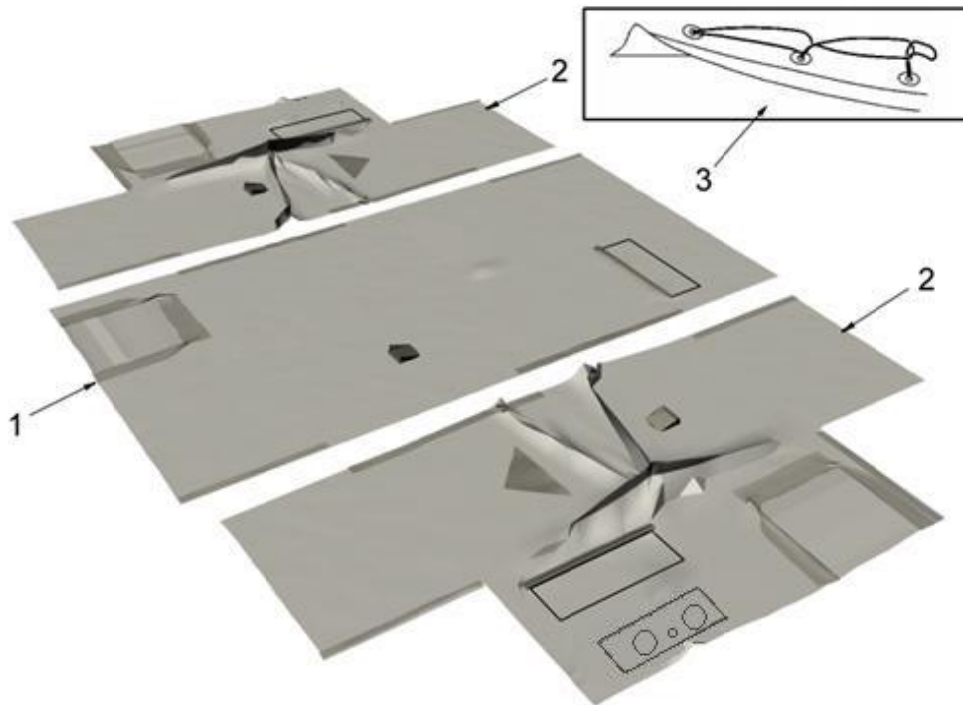
Fabric sections are heavy. Always lift with your legs not your back. Failure to observe this warning may result in back injury.

2. Transport each required fabric section into area where tent will be erected.
3. Unfold each **mid fabric section (1)** and **end section (2)** so that the inside (white side) is down and the green or tan side is up. Place these sections in center area where tent is to be setup.

NOTE

The **mid fabric section (1)** has lace and grommets on both ends. The **end sections (2)** have lace and grommets on one end.

4. Position **end sections (2)** on either side of the **mid section (1)** so that **becket laces (3)** align. Lay tent out flat. Fold side walls and end walls of **mid (1)** and **end sections (2)** under roof section so that only roof portions are exposed. This will allow easier access to the web loop attachment points.



Connect fabric sections

Use the following procedures to connect becket lace between each end section and mid section:

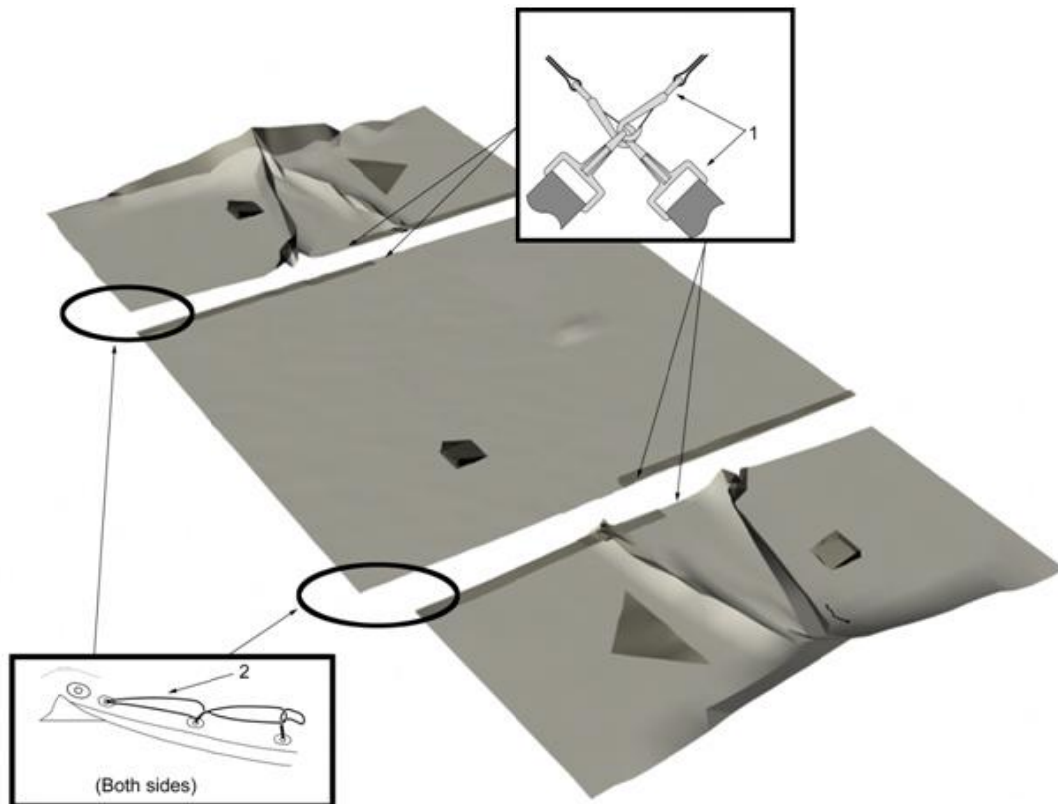
NOTE

Split the four personnel into two person teams. Each team should perform steps 1-12 at the same time on opposite ends of the tent.

1. Find the four large **snap hooks (1)** at the center edge of end section and mid section roofs on underside of tent. Connect the **snap hooks (1)**.

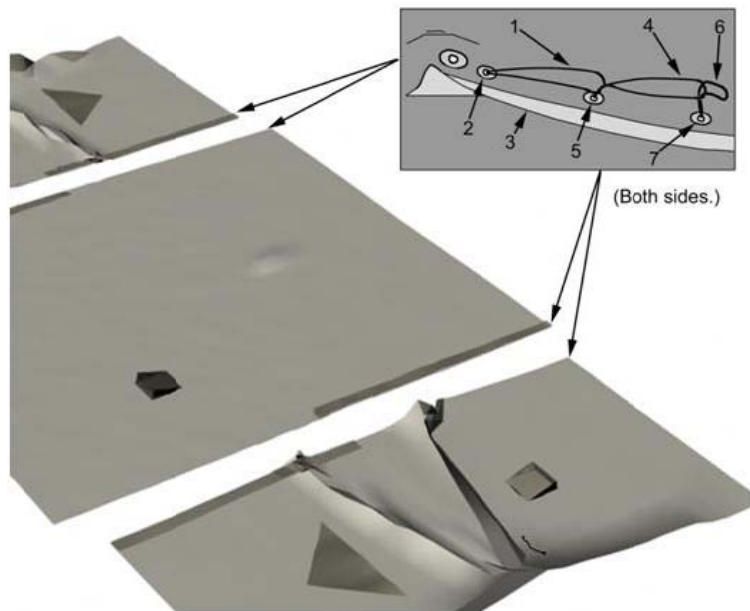
NOTE

It is very important to the functionality of the tent that the snap hooks at the center of the two sections are connected.

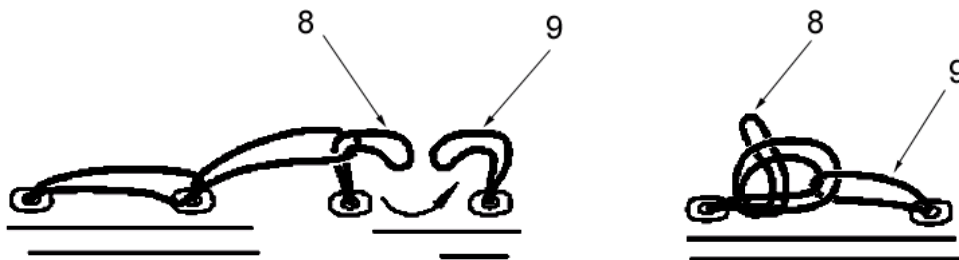


2. Find **becket lace (2)** at one end of roof. You may start at either end of roof.

3. Lace the fabric sections together by using the following instructions. Insert the first **rope loop (1)** on one roof section through the first small **grommet (2)** of the adjoining **roof section (3)**. Loops always enter the white side of the fabric and exit the green or tan side. All loops should be pulled tight. Insert the second **loop (4)** through the second **grommet (5)** and through the first **loop (1)**. Insert the third **loop (6)** through the third **grommet (7)** and the second **loop (4)**. Repeat this pattern until reaching the other side of the tent.



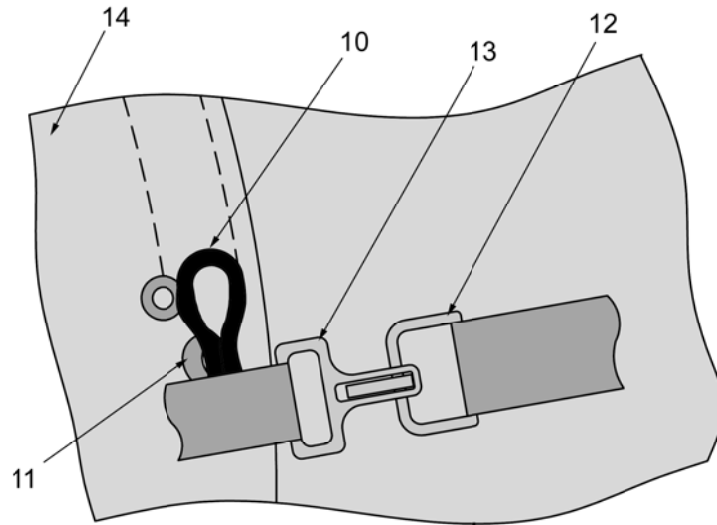
4. At the end, tie off last becket lace by using the following instructions: Insert the next-to-last **becket lace (8)** through loop of last **becket lace (9)**. Pull the next-to-last **becket lace (8)** back towards the ridge and tie off with half-hitch knot.



5. Pull 1-1/2 inch **web pole loop (10)** through big **grommet (11)** at perimeter.
6. Connect **D-ring (12)** on 3/4 inch strap at the eave to adjoining section's **snap hook (13)**.

NOTE

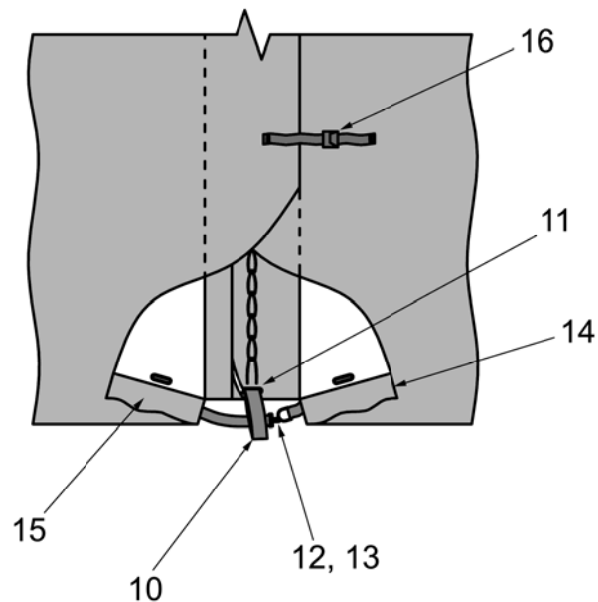
Make sure D-ring strap is below 1-1/2 inch web pole loop.



7. Fold one **flap (14)** over becket lace.

NOTE

Flaps are identical. It does not matter which is on top or bottom.



8. Feed 1-1/2 inch **web pole loop (10)** at eave through slit in **flap (14)**.
9. Fold other **flap (15)** along the length of the tent over the first **flap (14)** and feed 1-1/2 inch **web pole loop (10)** through slit in outer **flap (15)**.
10. Connect **buckles (16)** along entire outer **flap (15)**.
11. With one person at each corner of the tent, stretch fabric tight to remove slack.

Setting up tent poles

NOTE

Stay in your two person teams to perform the following procedures.

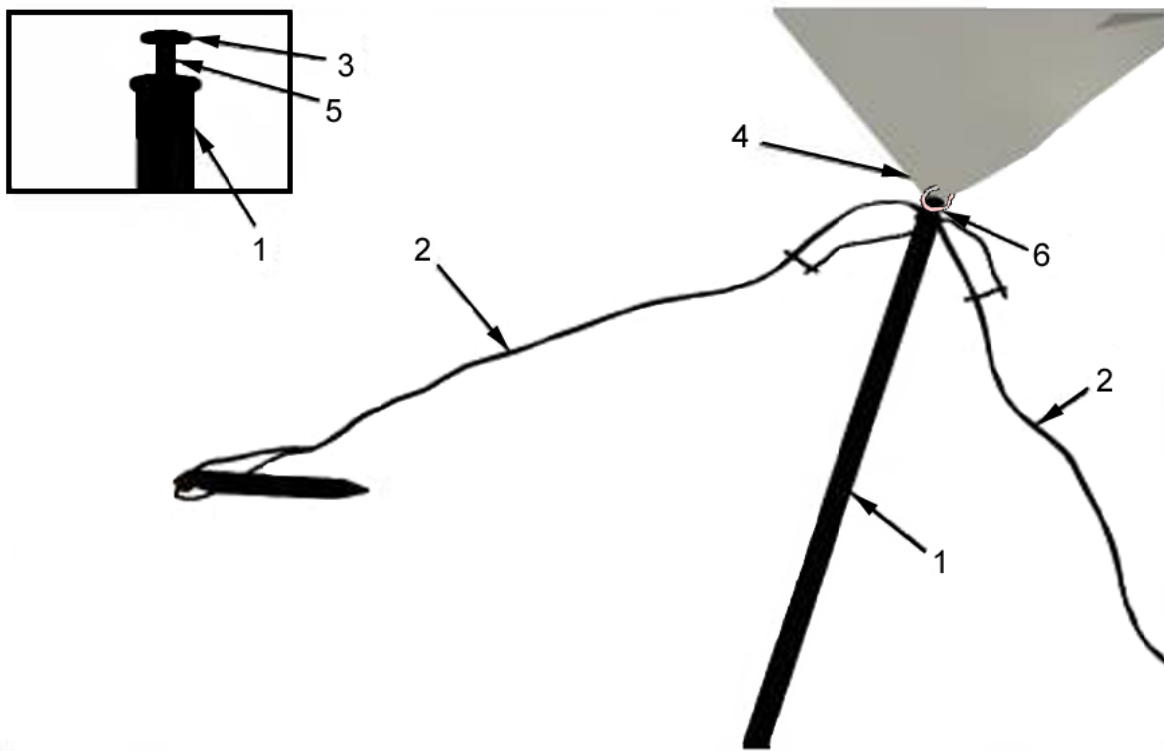
NOTE

Side poles are not adjustable. For the medium Type III MGPTS four side poles will be used.

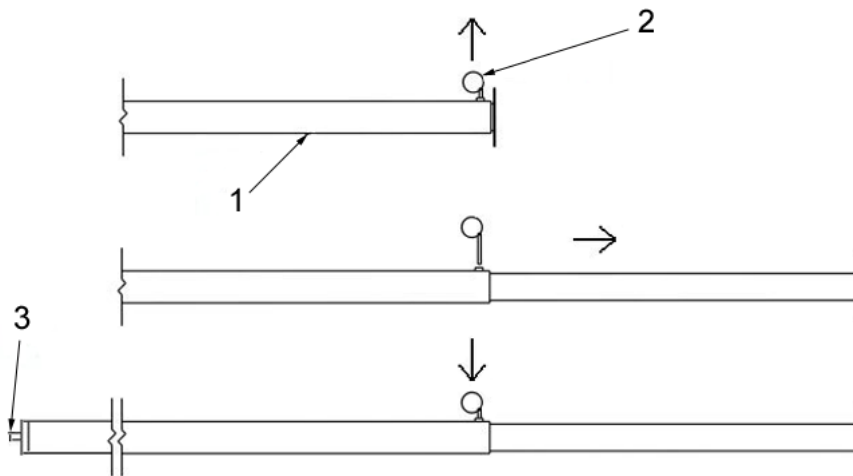
1. Locate **side poles (1)**.
2. Make sure each **side pole (1)** has two **guy ropes (2)** attached to **cap assembly (3)**.
3. Place one **side pole (1)** at each **corner of tent (4)**. Place **cap assembly spindle (5)** through **1-1/2 inch web loop (6)** at eave.

NOTE

At each corner of the tent make sure web loops are pulled through slit in fabric shingle.

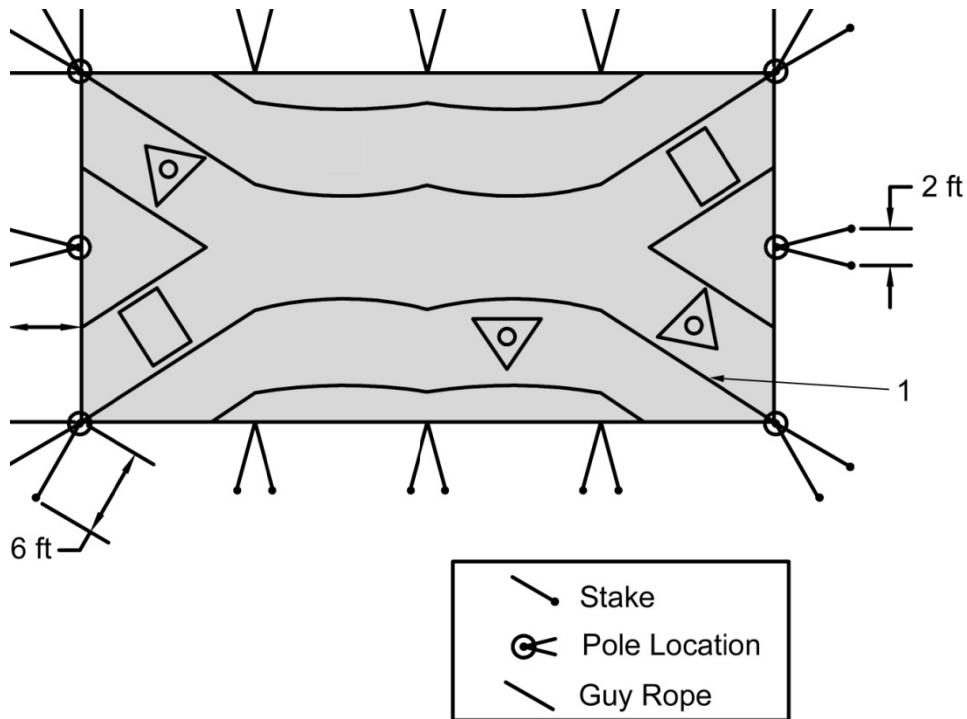


4. Find two **end poles (1)**. Adjust them to maximum height by pulling **pin (2)** out at bottom of pole. Push **pin (2)** back in when holes are aligned. Place **cap assembly spindle (3)** through 1-1/2 inch web loop at middle of each tent end section's roof edge. Ensure the flat side of the pole is on the ground with the pin facing up, so that guy ropes slide freely through ring at top.



5. Corner poles should be aligned with **fabric seam (1)** in end section roof. Stakes may then be placed 6 feet out along pole and 1-foot on either side of pole.

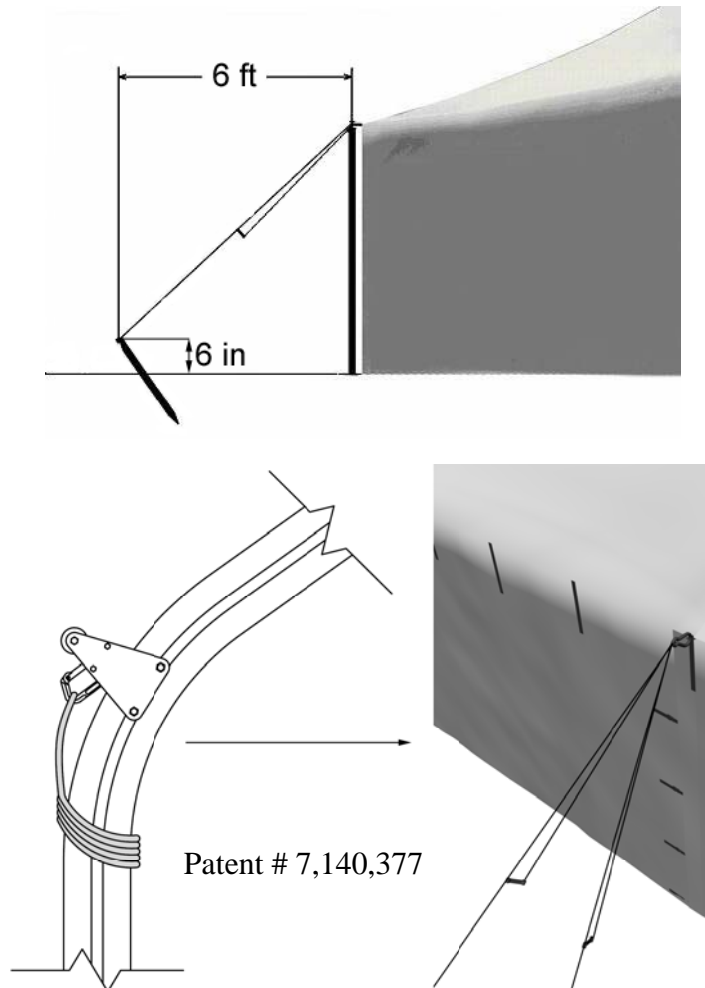
- Follow staking diagram below. Drive in the 36-inch wood stakes at all points indicated on diagram. It is important to have a stake at each of the marked points.



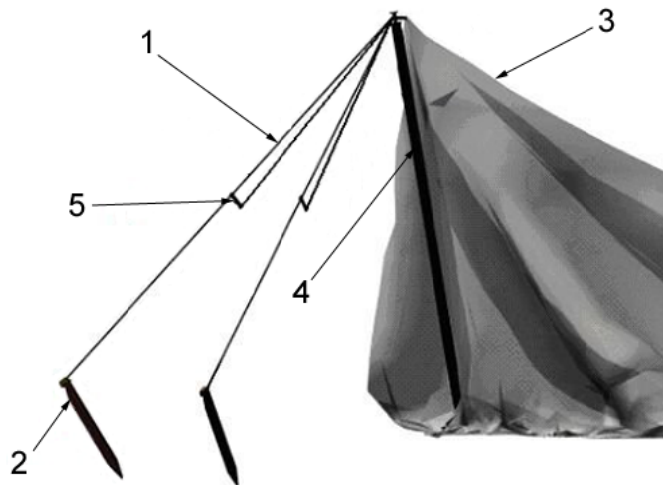
NOTE

For the stakes located on the sides of the tent, a corner pole may be used to properly locate the stakes by the following procedure: A pair of stakes will be located for each web loop located on the sides of the tent, place a corner pole at each web loop (facing away from tent) then place a stake 1 foot on each side from end of corner pole. Repeat this procedure for each stake pair on the side of the tent, after you have finished, return the corner pole to where it was originally placed (aligned with fabric seam).

- Drive stakes six feet out from tent edge and angle stake slightly away from tent. Wood stakes should be driven in until only six inches extend above the ground.



8. Unclip the carabiner/guy rope assembly from frame leg, and then clip carabiner to a side web loop. Repeat for all six carabiners.
9. Place corner pole **guy ropes (1)** over **wood stakes (2)**, making sure that ropes are not twisted or crossed. Loosen rope adjustment to leave plenty of slack. This will make it easier to stand poles up. Repeat for all corner pole locations.
10. Start at one corner. One person lifts corner **roof fabric (3)** while the second person grasps **pole (4)** and rotates bottom of pole under **roof fabric (3)** and stands pole up so that bottom of pole is angled in toward center of tent. Tighten **guy ropes (1)**, by sliding **tensioner (5)**, to keep poles from falling.



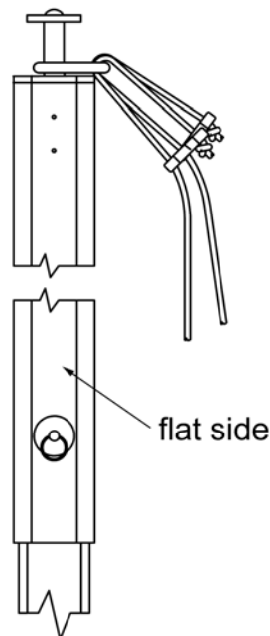
11. Repeat step ten for other two corners.

NOTE

Guy ropes must be snug, to keep poles from falling.

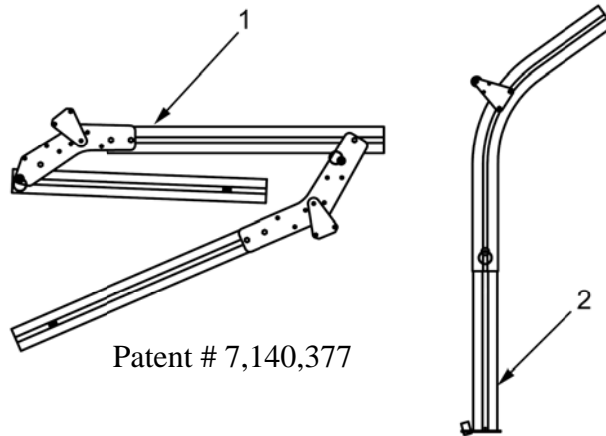
12. Roll up one 9-foot long sidewall of tent. Use tie straps at eave to secure the rolled up section.

13. Two persons are required. Stand end pole up. One person lifts **roof fabric (3)**. Other person grasps pole, rotates bottom of pole under **roof fabric (3)** and stands pole up so that bottom of pole is angled slightly in towards center of tent. Place **flat side** of end pole towards tent so that guy ropes slide freely through ring at top. Tighten **guy ropes (1)** to keep pole from falling. Repeat for other end pole.

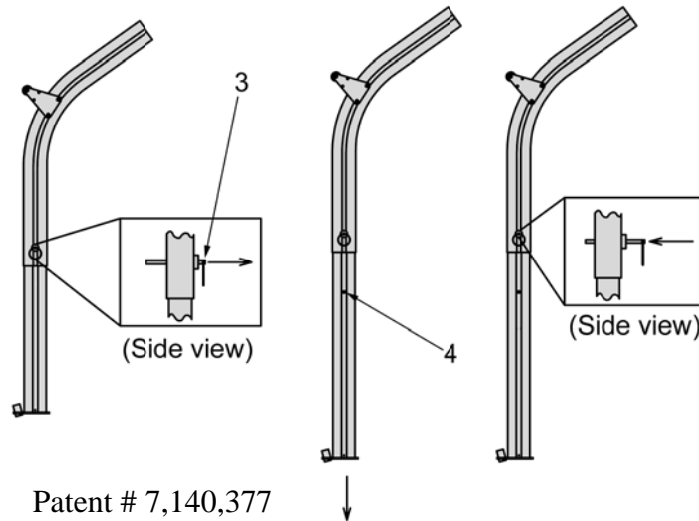


Raising Type III tent system

1. Locate MGPTS Type III **folding arch assemblies (1)** and **leg assemblies (2)**.



2. Extend leg assemblies to full height by pulling **pin (3)** out and pulling lower leg out until the **locking holes (4)** are aligned, push **pin (3)** back in.

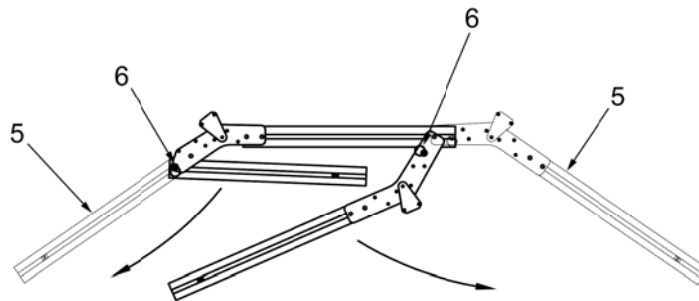




WARNING

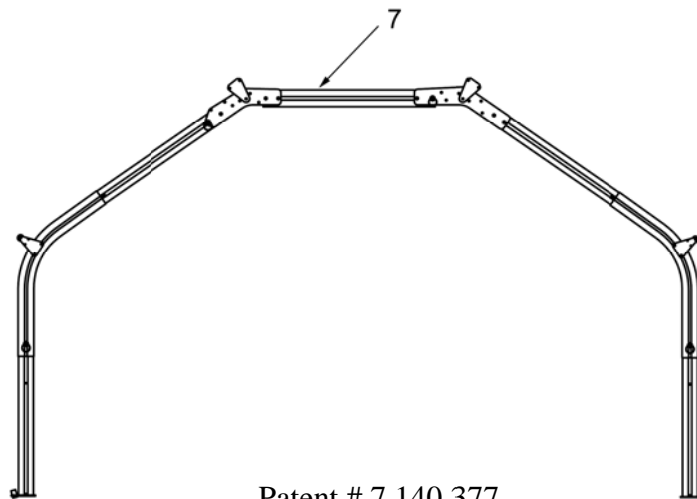
Use care to ensure fingers, or other parts are not caught in folding arch hinge points.

3. Unfold the **folding arch arms (5)** by pulling the **locking pin (6)** out then rotate the **arms (5)** until the locking hole is aligned. Then push **locking pin (6)** back in.



Patent # 7,140,377

4. Place one **leg (2)** into each **arm (5)** to form one complete **internal arch assembly (7)**.



Patent # 7,140,377

5. Repeat procedures one through four for the other two internal arch assemblies.
6. Using four people, carry one completed internal arch assembly into the tent.



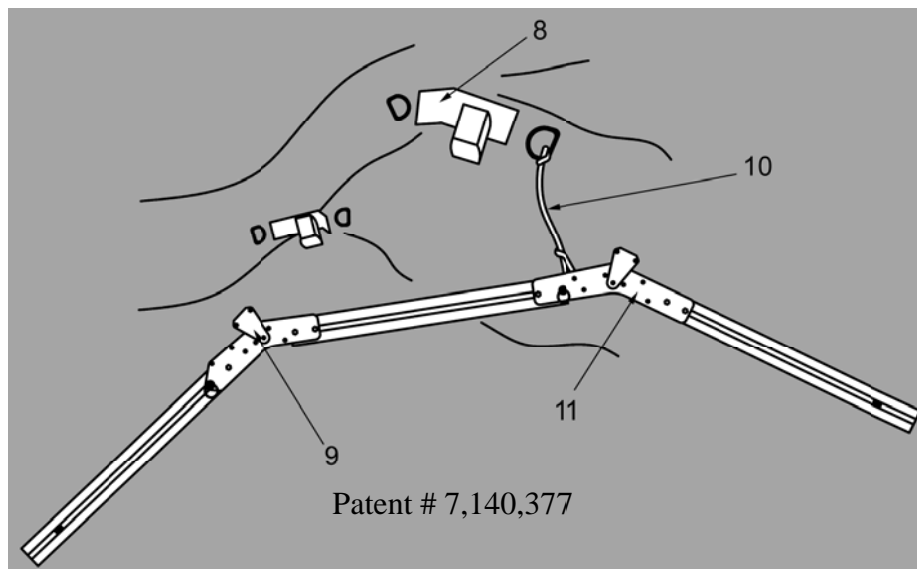
WARNING

Use care to ensure fingers, or other parts are not pinched while inserting peak fittings into peak fitting holders.

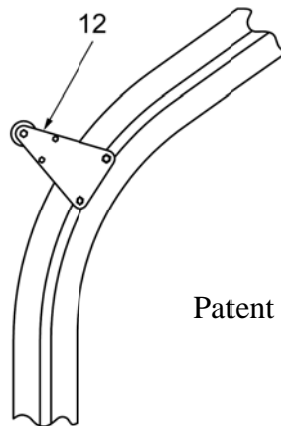
7. Identify the **peak fittings (8)** which are metal tubes attached to flat metal plates located on the inside roof of the tent. Starting at one end of the tent, place a **peak fitting (8)** into a **peak holder (9)**. Once the first **peak fitting (8)** is fully in the first **peak holder (9)**, place the second **peak fitting (8)** into the other **peak holder (9)**.

NOTE

If the fabric tension is too tight to place the second **peak holder (9)** into the second **peak fitting (8)**, release tension on the end poles to slacken the tent fabric.



8. Tie off **peak fittings (8)** to frame with **rope (10)** provided, by tying rope from D-rings to a **gusset plate (11)** spacer bolt, to keep frame from separating from tent in windy conditions.
9. To raise the first arch, locate two people at the center of the frame and one person at each leg. The two people at the center of the frame push the frame up while at the same time working down the sides of the frame. While the two people in the center are pushing the frame up, each person at the side will walk the leg to a vertical position. All four persons will be raising the arch, when the arch is nearly vertical. As the frame arches are being raised, have one person guide the fabric over each **roller assembly (12)** while also raising the frame assembly.

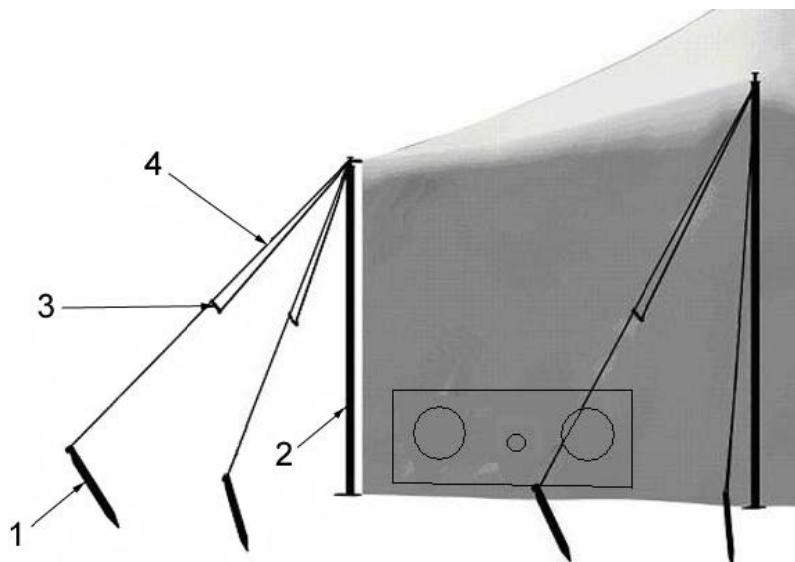


Patent # 7,140,377

10. For the second & third arch, position 2 persons at each leg (after placing the peak fittings into the peak holders) and raise each arch to a vertical position.
11. From one end, view arch assemblies and make sure they are aligned and each is fully vertical.

Tensioning Type III tent system

1. Tensioning tent. Corners should be tensioned first. Tension one corner at a time.
 - a. Start at a corner. The first person should position himself between the **stakes (1)** and **pole (2)**. The same person should grasp **pole (2)** at the top and below cap assembly with both hands. This person rocks back towards **stake (1)** keeping base of the pole in place. Second person slides down **tensioner (3)** to tighten **guy ropes (4)**. Both people grasp pole and straighten **pole (2)** to a vertical position.



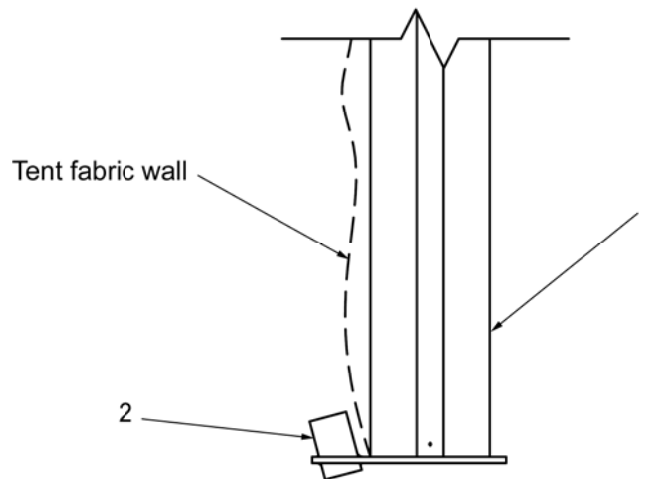
- b. Repeat procedure on other three corners.

- c. Repeat this procedure for the two end poles until entire tent is tensioned.

NOTE

Sidewall can be configured in three different ways: all walls down, cloth walls rolled up with screen walls down or both cloth walls and screen walls rolled up.

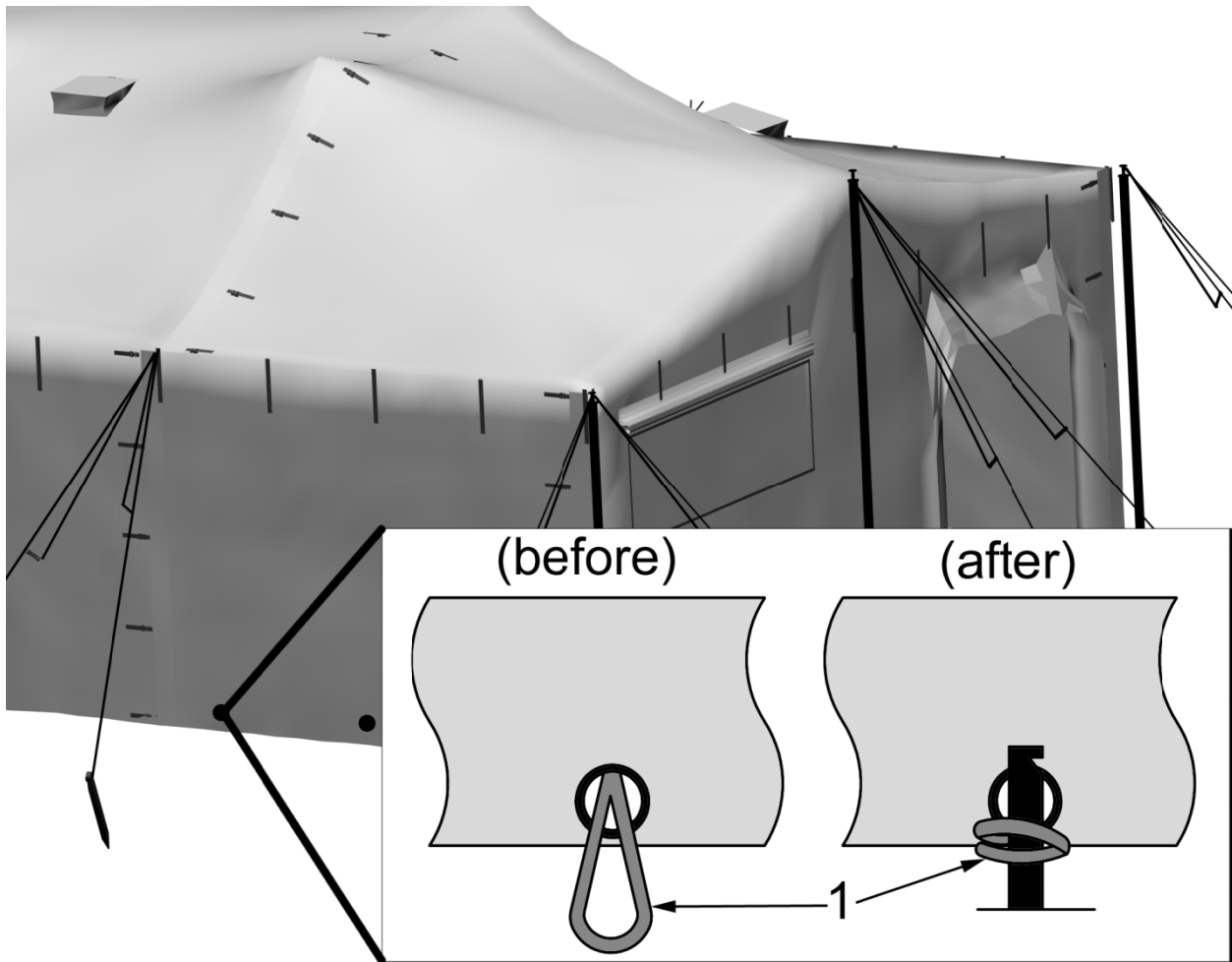
2. Go into tent, it is important that each frame arch assembly is still vertical (adjust if necessary) and that all frame **legs (1)** are in the inside perimeter of the tent (it may be necessary to push the leg in to achieve this) and **stake tubes (2)** are on the outside of the tent.



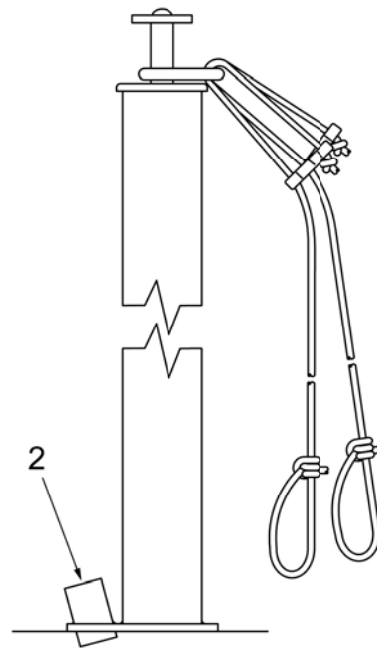
3. Place the carabiner assembly guy ropes over stakes. Tension guy ropes.
4. Secure vertical fabric sections. For both attachment points of wind straps on sidewalls, pull straps through slit on opposing wall section. Tie off wind straps with an appropriate knot to keep fabric sections tightly together. Pull web through ladder lock for both ladder lock connections, this is important for extreme wind conditions. Starting at the top of the vertical fabric sections attach fabric sections together with hook and pile fasteners.
5. Starting at top of vertical fabric sections, connect the four buckles on outer flap.
6. Repeat these procedures for all fabric connections.
7. Staking sidewalls and poles:
 - a. Locate the 12-inch polycarbonate stakes.
 - b. Locate the **rope loops (1)** facing out at the base of the Side Walls.
 - c. Insert finger into a **rope loop (1)**, twist rope loop to form a figure 8. Place the two newly created loops around finger. Insert stake into both loops and drive stake into ground (see illustration).

NOTE

Do not drive 12-inch stakes all the way into the ground, leave them about two inches out, this will make it easier to remove the stakes.



- d. Repeat step c for all rope loops.
- e. Drive a stake through the **stake tube (2)** at base of corner poles.



OPERATING PROCEDURES

Operate doors

Use following procedures to operate the doors on the MGPTS:

Door is opened and closed using hook and pile fasteners. The inner door can be rolled up (towards the inside to prevent rain from being trapped within the folds) and secured with straps at the top.

Outside the tent there is a sliding door. The sliding door can be secured in the open position with attached straps, and secured in the closed position with buckles.

Operate windows

Windows can be opened for ventilation or closed due to inclement weather. Windows have three panels.

The fabric cover and clear windows are closed by hook and pile fasteners.

The fabric cover and clear window can each be held open with tie tapes.

Each layer must be rolled up towards the inside to prevent rain from being trapped within the folds.

To fully close the fabric cover, the clear window must first be unrolled and secured.

Operate roof vents



WARNING

Do not use any type of non-vented heaters. The use of non-vented heaters will cause the accumulation of carbon monoxide gas. Carbon monoxide gas is not visible and it has no smell. If symptoms such as headache, dizziness, fatigue, nausea, or irregular breathing occur, move affected personnel to fresh air. Failure to comply with this warning may result in personal injury or death.

All fuel burning heaters consume oxygen. Adequate ventilation must be maintained at all times. Keep roof vents clear of snow, ice, or debris. Open doors, windows, flaps, hook and pile fastener wall closures as needed to introduce sufficient fresh air to replace oxygen consumed by heaters. If symptoms such as headache, dizziness, fatigue, nausea, or irregular breathing occur, move affected personnel to fresh air. Failure to comply with this warning may result in serious injury or death to personnel.

NOTE

Roof vent is made from foam and is always open, no operation is required.

Operate fabric walls

Outside walls can be rolled up (towards the inside to prevent rain from being trapped within the folds) and tied off for ventilation if needed.

Operate stovepipe openings

The stovepipe vent is opened and closed by pulling the **cord (1)** attached to the **vent cover (2)**. To open, pull the **cord (1)** to the opposite side of the tent. To close, pull cord to the near side. The vent cover will secure itself when it is closed.



STRIKING TYPE III TENT SYSTEM

1. Make sure fabric is dry before disassembly.
2. Unfasten buckles.
 - a. Unfasten buckles where fabric sections join and untie wind straps from poles and knots.
 - b. Detach hook and pile fasteners at sidewall connections, pulling straps through slits. Disconnect web from ladder locks. Repeat this procedure until all of side and corner wall connections are detached.
3. Loosen guy ropes to reduce tension on fabric. Do not remove guy ropes.
4. Remove stakes from rope loops and stake tubes on poles around skirt of tent.
5. Remove carabiner guy ropes from stakes.
6. Strike internal arches.
 - a. Go inside of tent, using four persons, starting at one end, slowly lower the legs, by walking them down. Remove internal arch from peak fittings one at a time and untie rope from D-ring and gusset plate.
 - b. Position internal arch on ground outside of tent.
 - c. Remove leg assemblies from folding arch assemblies.
 - d. Retract leg assemblies to shortened length by pulling locking pin out and pushing lower leg up into the upper leg until the locking holes are aligned. Push pin back in.



WARNING

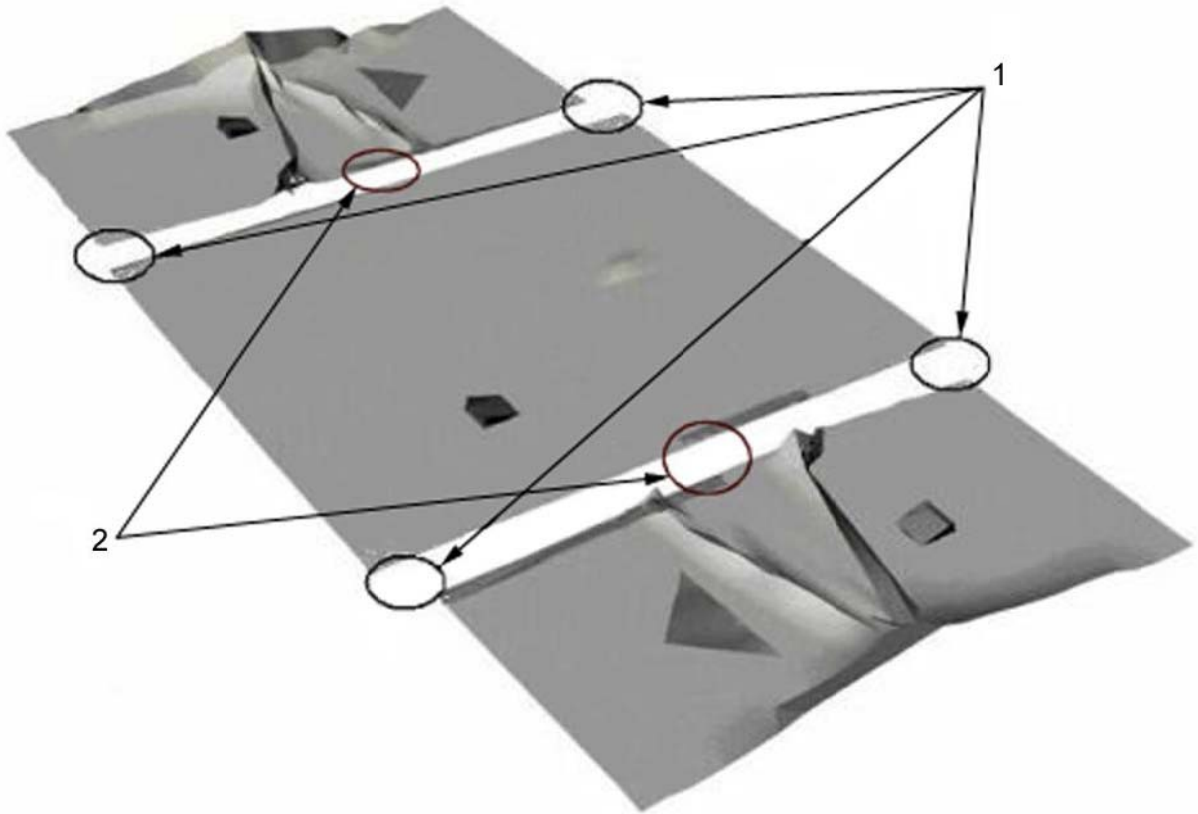
While folding arch assembly arms, caution must be used to avoid pinching fingers.

- e. Retract folding arch arms. By pulling out the locking pin and swinging the arms in, push the pin back in when the locking holes are aligned.
 - f. Repeat procedures a through e for all internal arches.
 - g. Remove carabiner/guy rope assembly from web loops at side eaves and clip one carabiner/guy rope assembly to each leg assembly.
7. Strike poles.
- a. Remove guy ropes for poles from stakes.
 - b. Lower poles to the ground in the following order: end poles **then** corner poles.
 - c. Remove poles from 1-1/2 inch web loop.
 - d. Move poles to location for placement in pole bags.

NOTE

Use two-man teams.

8. Separate fabric sections.
- a. Lift flap to remove the 1 1/2-inch web loop from the slit at the becket lace between each end and mid section.
 - b. Unhook D-ring from snap hook at **eave joint sections (1)**.
 - c. Unhook buckles along where the end and mid sections meet and unfold flaps.
 - d. Unlace becket lace.
 - e. Remove becket lace from grommets.
 - f. Unhook **snap hook (2)** at the center edge of the end and mid section.

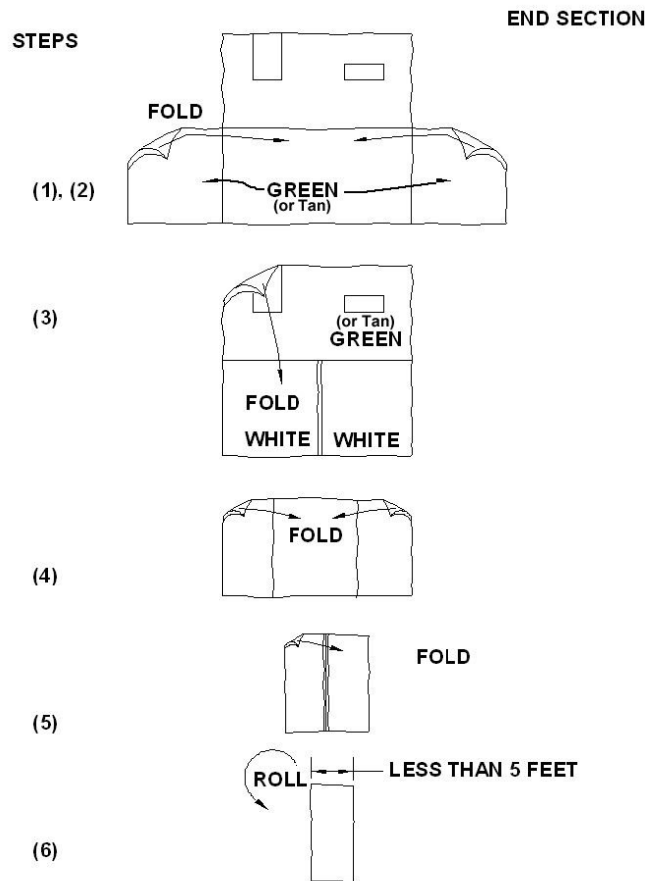


- g. Move fabric sections for folding and placement in transport bags.

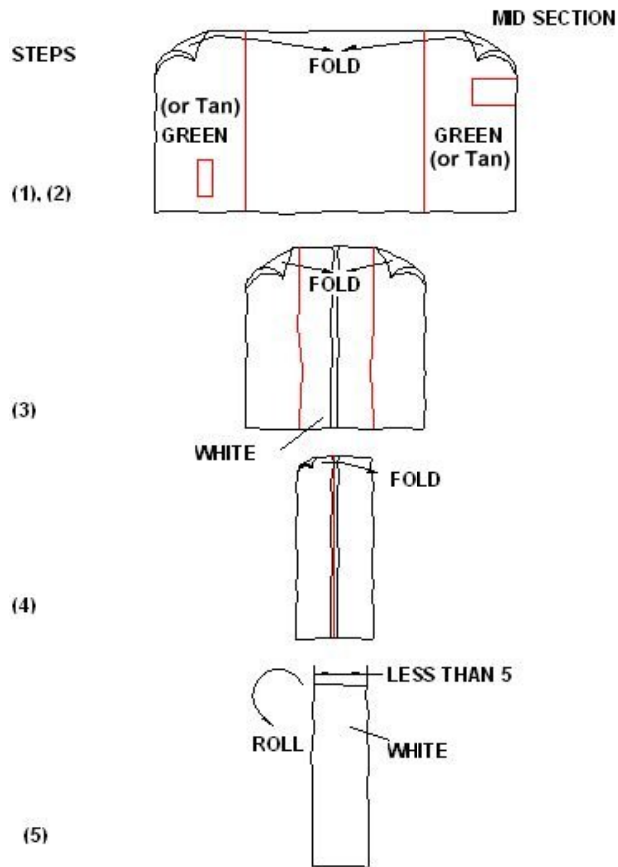
Fold fabric sections

The following section will demonstrate tent packing procedures for the MGPTS:

1. The end sections are to be folded as follows:
 - a. Start with the end fabric section spread out flat, with the green or tan side facing upward.
 - b. Fold each end section wall over the end section roof as shown.
 - c. Fold end wall over end section roof.
 - d. Fold edges of roof inward on themselves, so that both meet at the center of the end section roof.
 - e. Fold fabric in half, so that the entire width of the folded section is less than 5 feet.
 - f. Roll fabric as illustrated.



2. The mid sections (if used) are to be folded as follows.
 - a. Start with the mid section spread out with the green or tan side up, as shown below.
 - b. Fold mid section walls over mid section roof so that the two outer edges of the fabric meet at the middle of the roof. Fold walls with the windows and door onto roof cloth, up to the perimeter edge, where wall meets roof cloth.
 - c. Fold the mid section fabric in on itself as illustrated, so that the edges meet at the middle of the roof.
 - d. Fold the edges of the mid section one final time, so that the width of the folded section is less than five feet.
 - e. Roll fabric as illustrated.

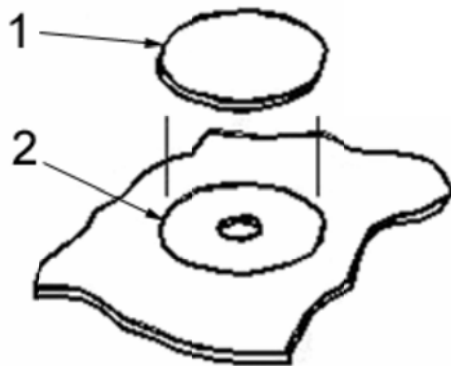


END OF MANUAL

**FABRIC ASSEMBLY END MODULE AND FABRIC ASSEMBLY MID MODULE
REPAIR**

Instructions to Patch Hole or Rip in Tent Fabric

- 1) Make sure area is clean and dry.
- 2) Cut adhesive patch at least 1" larger than hole or rip in all directions-round the corners of this patch.
- 3) Clean area to be patched with alcohol rub.
- 4) Peel backing off patch to expose adhesive.
- 5) Apply patch over hole or rip-use firm pressure and pay particular attention to edges.



END OF APPENDIX A

**FABRIC ASSEMBLY END MODULE AND FABRIC ASSEMBLY MID MODULE
REPAIR**

Hand Stitching Repair in Fabric Assemblies**A. Preparing Needle and Thread****NOTE**

If you use two-strand thread you will need twice as much; if you use four-strand, you will need four times as much.

(1) Estimate amount of thread required to complete stitching and cut thread to length.

(2) (See Figure 01). Thread sailmaker's needle (3) with thread to form a single, two, or four-strand thread. as follows:

(a) One end and push the loop through the eye of the needle.

(b) Two-Strand. To make a double strand thread, pull the thread through the needle until the needle is at the midpoint of the single thread strand.

(c) Four-Strand. To form four-strand thread, bend a length of thread in half and insert the loop end into the eye of the needle, pulling it through so that the eye is at the midpoint of the double strand of thread.

(3) Twist the strand together.

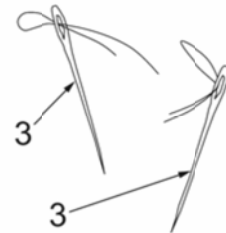
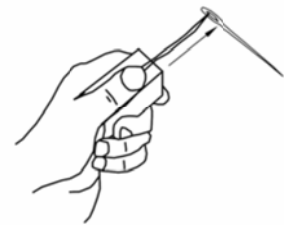
(4) Tie knot at far end of the single, two, or four-strand thread.

B. Handstitches. There are five common hand stitches used to mend fabric in different situations. Choose the one that most closely resembles the repair you are making.

(1) Flat Stitch. (See Figure 03). This stitch is used as a temporary fastening until machine repairs can be made. Pass the needle over and under an equal amount of material, each successive entering the material from the opposite side.

(2) Round Stitch. (See Figure 04). This stitch is used to handwork grommets. Insert the materials at right angles to the edge of materials and bring around edge before making the next stitch.

(3) Overcast Stitch. (See Figure 05). This stitch is used to apply a hand-sewn patch. Insert the needle through the material at an angle so that it comes out to one side and ahead of the point of insertion, and bring the cord over to the original line of insertion before making the next stitch.

**Figure 01****Figure 02****Figure 03****Figure 04****Figure 05**

**FABRIC ASSEMBLY END MODULE AND FABRIC ASSEMBLY MID MODULE
REPAIR**

(4) Backstitch (See Figure 06). This stitch is used to secure an open seam. It is so named because the needle is always set back on half of a stitch length into the last stitch made. Make two small stitches in the same place to secure the cord ends. Continue by inserting the needle into the middle of the preceding stitch and bringing it out on the same side of the material one stitch length in advance of preceding stitch.



Figure 06

(5) Fishbone Stitch. (See Figure 07). This stitch is used to join edges of a tear unit; a patch can be applied. Insert needle between two edges of material to be sewn together. Take a diagonal stitch from one side toward the other, bringing the needle out between the two edges. Repeat this operation on the opposite side, and continue alternating stitches from side to side. To keep the stitches uniform, hold the edges smoothly together. Make stitches firmly, but do not pull them tight enough to pucker the fabric.



Figure 07

END OF APPENDIX B

MODULAR GENERAL PURPOSE TENT SYSTEM (MGPTS TYPE III)
TAN**BASIC ITEM ISSUE**

<u>DESCRIPTION</u>	<u>NSN</u>	<u>JOG P/N</u>	<u>U/M</u>	<u>QTY REQD</u>
END MODULE FABRIC ASSY. - TAN TYPE III ①	N/A	2480451	EA	Small 2
			EA	Medium 2
			EA	Large 2
MID MODULE FABRIC ASSY. - TAN TYPE III ①	N/A	2480450	EA	Small 0
			EA	Medium 1
			EA	Large 2
INTERNAL ARCH TYPE III	8340-01-515-0152	2480343	EA	Small 1
			EA	Medium 3
			EA	Large 5
END POLE	8340-01-477-9525	2480298	EA	Small 2
			EA	Medium 2
			EA	Large 2
SIDE POLE	8340-01-477-9566	2480297	EA	Small 4
			EA	Medium 4
			EA	Large 4
STAKES, WOOD	8340-01-478-0133	5440664	EA	Small 16
			EA	Medium 24
			EA	Large 32
STAKES, PLASTIC	8340-01-478-0136	5685537	EA	Small 24
			EA	Medium 36
			EA	Large 48
BAGS, END TENT TYPE III ①	N/A	2480387	EA	Small 2
			EA	Medium 2
			EA	Large 2
BAGS, END FRAME TYPE III	N/A	2480216	EA	Small 1
			EA	Medium 1
			EA	Large 1
BAGS, MID TENT TYPE III ①	N/A	2480386	EA	Small 0
			EA	Medium 1
			EA	Large 2
BAGS, MID FRAME TYPE III	N/A	2480215	EA	Small 0
			EA	Medium 1
			EA	Large 2
REPAIR KIT ①	8340-01-491-0486	2480268 TAN	EA	Small 1
		2480289 GREEN	EA	Medium 1
				Large 1

① Interchangeable with MGPTS Type I

MODULAR GENERAL PURPOSE TENT SYSTEM (MGPTS TYPE III)
GREEN
BASIC ITEM ISSUE

<u>DESCRIPTION</u>	<u>NSN</u>	<u>JOG P/N</u>	<u>U/M</u>	<u>QTY REQD</u>	
END MODULE FABRIC ASSY. TYPE III ①	N/A	2480439	EA	Small	2
			EA	Medium	2
			EA	Large	2
MID MODULE FABRIC ASSY. TYPE III ①	N/A	2480438	EA	Small	0
			EA	Medium	1
			EA	Large	2
INTERNAL ARCH TYPE III	8340-01-515-0152	2480343	EA	Small	1
			EA	Medium	3
			EA	Large	5
END POLE	8340-01-477-9525	2480298	EA	Small	2
			EA	Medium	2
			EA	Large	2
SIDE POLE	8340-01-477-9566	2480297	EA	Small	4
			EA	Medium	4
			EA	Large	4
STAKES, WOOD	8340-01-478-0133	5440664	EA	Small	16
			EA	Medium	24
			EA	Large	32
STAKES, PLASTIC	8340-01-478-0136	5685537	EA	Small	24
			EA	Medium	36
			EA	Large	48
BAGS, END TENT TYPE III ①	N/A	2480395	EA	Small	2
			EA	Medium	2
			EA	Large	2
BAGS, END FRAME TYPE III	N/A	2480216	EA	Small	1
			EA	Medium	1
			EA	Large	1
BAGS, MID TENT TYPE III ①	N/A	2480396	EA	Small	0
			EA	Medium	1
			EA	Large	2
BAGS, MID FRAME TYPE III	N/A	2480215	EA	Small	0
			EA	Medium	1
			EA	Large	2
REPAIR KIT ①	8340-01-491-0486	2480268 TAN	EA	Small	1
		2480289 GREEN	EA	Medium	1
				EA	Large

① Interchangeable with MGPTS Type I

